



1500V Central PV Inverter

SPI1250K-B-H/SPI1500K-B-H

High Efficiency:

- Advanced three-level topology, maximum conversion efficiency up to 99.00%
- 50°C 1.1 times long-term overload, 55°C full load operation

Lean Intelligence:

- Intelligent fault recording function, quick failure analysis
- Intelligent online upgrade function, easy system upgrade and maintenance management

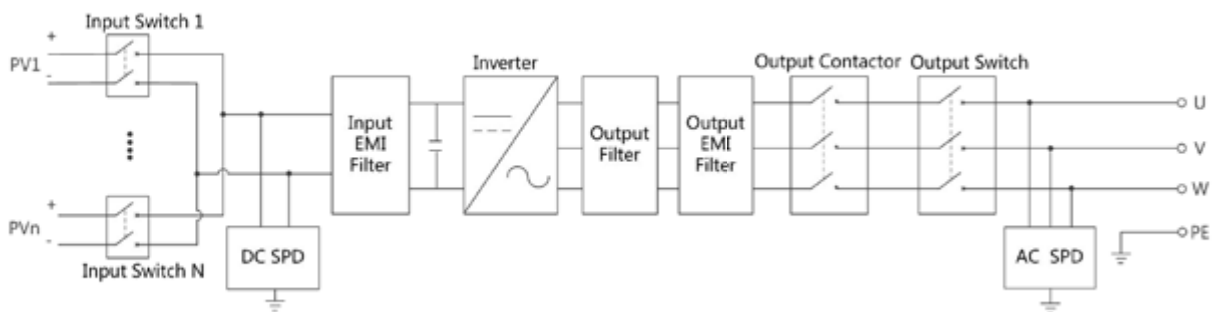
Safe and Reliable:

- Intelligent fan speed control and fault detection, improve system reliability
- PID repair function to ensure power generation

Cost Saving:

- 1500Vdc/550Vac/600Vac design, reducing system cost
- High power density in 0.6m², reducing system land cost

Function Diagram:



Technical Specification:

Items	SPI1250K-B-H	SPI1500K-B-H
DC Input		
Max. PV Input Voltage (Vdc)	1500	
Max. PV Input Current (A)	1754	1800
PV Input Strings Number	12~15 optional	12~15 optional
No. of MPPTs	1	1
MPPT Voltage Range (V)	800~1300	900~1300
Start Up Voltage (Vdc)	840	940
MPPT Efficiency	99.90%	99.90%
AC Output		
Nominal AC Output Power (kW)	1250	1500
Maximum Output Power (kW)	1375	1650
Maximum Output Current (A)	1443	1587
Nominal AC Voltage (Vac)	550	600
Grid Voltage Range (Hz)	50/60	
Nominal Grid Frequency (Hz)	45~50/55~60	
Power Factor	>0.99 (nominal power)	
PF Adjustable Range	0.8 (leading)~0.8 (lagging)	
THDI	<3% (nominal power)	
Efficiency		
Max. Efficiency	99.00%	99.00%
European Efficiency	98.70%	98.70%
Others		
LVRT Function	Yes	
AC Side Parallel Technology	Yes	
PID Repair	Yes	
Fault Wave Record Diagnosis	Yes	
Online Upgrade	Yes	
System Data		
Dimensions (WxHxD) (mm)	1400x2000x800	
Weight (kg)	1350	
IP Grade	IP20	
Night Consumption (W)	<80	
Cooling	Intelligent forced air cooling	
Altitude	6000m (>3000m derating)	
Operating Temperature Range (°C)	-35~60	
Operating Humidity	0~95% (non-condensation)	
Display	LCD	
Communication	RS485, Ethernet (optional)	

- Specifications are subject to change without prior notice.